

# Projector stands

## LCD projector stands for every application

In response to the great diversity in projectors and their applications, Projecta supplies a wide range of projector stands. From compact, portable projector stands for use on-site to robust stands for stationary use. There is always a suitable solution geared to your projector and requirements.

**A projector stand for every application.**

**Reliable, solid construction.**

**Suitable for all contemporary types of notebooks and projectors.**

**Well thought-out, simple operation.**

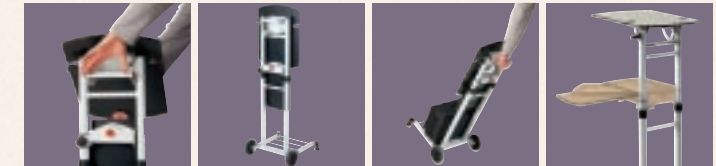
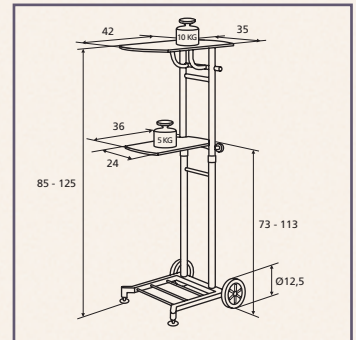
**Available in dark grey (RAL 7021) or white (RAL 9016).**

**Easy to assemble.**



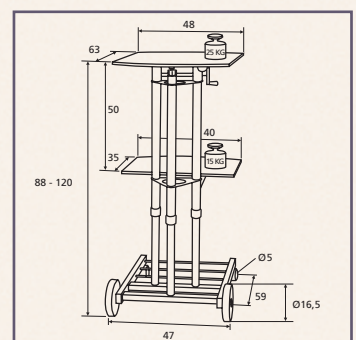
## StandMaster I

- ▶ Especially designed for portable projectors.
- ▶ Fitted with two folding shelves for projector and notebook.
- ▶ Safe and continuous variable height adjustment thanks to a built-in pneumatic spring.
- ▶ Rotatable and height-adjustable lower shelf for notebook.
- ▶ Fitted with large wheels for optimum mobility.
- ▶ Also suitable as trolley.
- ▶ Elegant design.



## StandMaster II

- ▶ Robust projector stand for larger LCD projectors.
- ▶ Fitted with large front wheels and swivelling rear wheels for optimum maneuverability.
- ▶ Spacious upper shelf inclinable to 15°.
- ▶ Continuous variable height adjustment thanks to crank mechanism.
- ▶ Spacious, detachable, movable lower shelf for notebook or video recorder.



Type	Frame		Weight in kg
	A Grey (RAL 7021)	B White (RAL 9016)	
StandMaster I	PTPSM 001	PTPSM 002	13
StandMaster II	PTPSM 003	PTPSM 004	23